

Hole



Hole

Registered Design

Datasheet



*A secluded recess, a gentle opening in the earth.
You might pass without noticing,
until the fire glows and the Hole comes to life,
showing its quiet beauty.
When the flame dies down, it settles back into the ground,
easy to cover, easy to walk across,
as if it had never called attention to itself at all.*

Hole is an in ground, recessed wood-burning outdoor fire pit. It stems from the idea of placing the fire itself at the centre of the scene, while discreetly concealing the structure that contains it. Earth and flame welcome those gathered around with warmth and subtlety. Hole can be installed anywhere, on any type of outdoor surface. When not in use, it is protected by the supplied closure top, which seals off any residual ash — and, once in place, can be safely walked on.

SIZES

Ø1360 H200 mm

MATERIALS

Structure: Natural Corten steel.

ACCESSORIES

Steel closure top for the combustion chamber: included.
Stainless-steel barbecue grill kit: optional.

FUEL

Wood.

- The product is supplied ready-to-assemble.

MATERIALS

▪ Corten steel



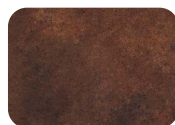
Corten 32
Natural state



Corten
First oxidation



Corten
Developing patina



Corten 32A
Stabilized patina

Corten steel is supplied in its natural state, typically blue-black in appearance (32). At this stage, the surface has not yet developed its characteristic protective patina, which forms gradually under natural weather conditions.

The oxidation process depends on exposure to atmospheric agents, and as the steel undergoes its natural cycle of maturation, it acquires its signature deep brown hue (32A). In the early stages, the steel may release oxide residues that can stain adjacent surfaces; this is a normal, intrinsic aspect of the material's weathering process.

Our products may display superficial irregularities or chromatic variations. These are intentional results of our choice to use materials and finishes that embrace natural ageing, making each piece truly unique.

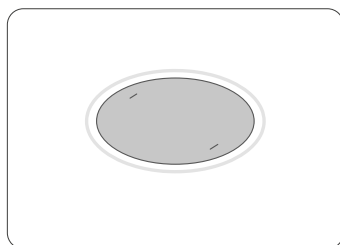
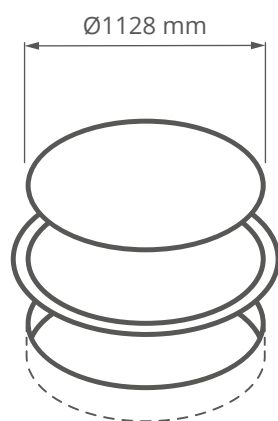
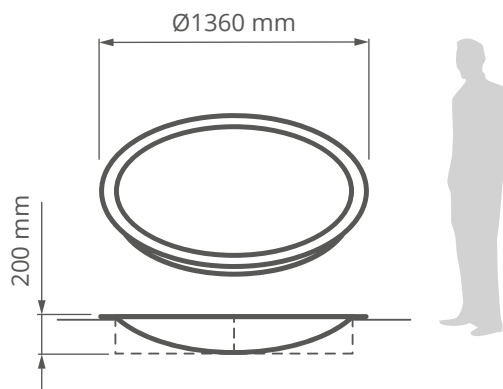
Over time, cyclical exposure to atmospheric agents such as rain, sun, wind, and local climate conditions may alter the product's appearance. This evolution is not a defect, but a distinctive characteristic of the materials used.

Care and Maintenance

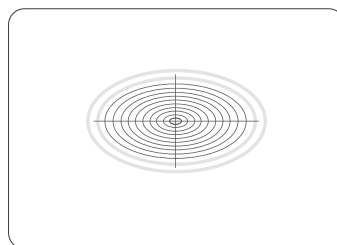
- Keep the fire pit clean.
- Use a soft cloth and lukewarm water to clean the surface.
- Avoid abrasive cleaners, solvents, or degreasers.

Hole

Registered Design



Steel closure top



Stainless-steel barbecue grill kit

The images and drawings are for illustrative purposes only and the actual products may differ in size and color.

The drawings are the exclusive property of AK-47 s.r.l. and all rights are reserved. Any unauthorized reproduction and / or disclosure will be prosecuted by law ©